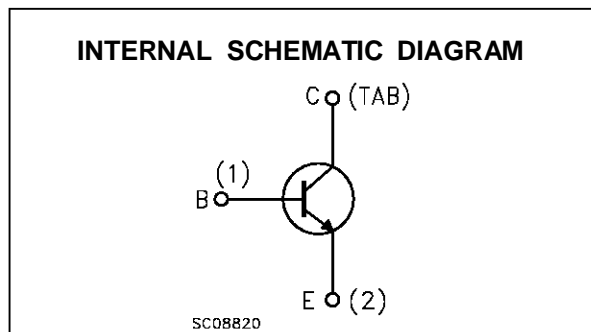
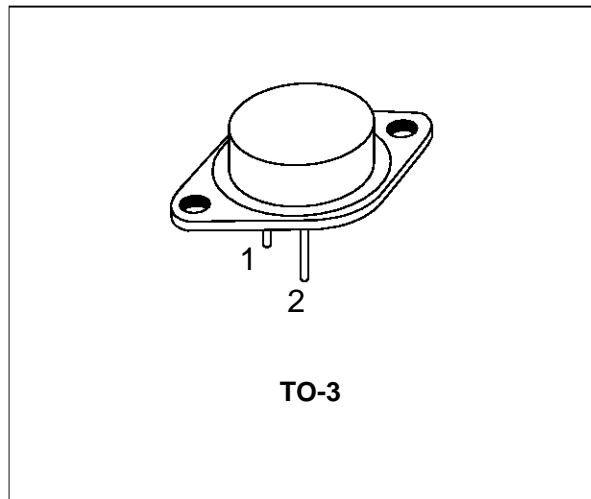


SILICON NPN SWITCHING TRANSISTOR

- SGS-THOMSON PREFERRED SALESTYPE
- FAST SWITCHING TIMES
- LOW SWITCHING LOSSES
- VERY LOW SATURATION VOLTAGE AND HIGH GAIN FOR REDUCED LOAD OPERATION



ABSOLUTE MAXIMUM RATINGS

Symbol	Parameter	Value	Unit
V_{CEV}	Collector-emitter Voltage ($V_{BE} = -1.5V$)	350	V
V_{CEO}	Collector-emitter Voltage ($I_B = 0$)	250	V
V_{EBO}	Emitter-Base Voltage ($I_C = 0$)	7	V
I_C	Collector Current	12	A
I_{CM}	Collector Peak Current	18	A
I_B	Base Current	2.5	A
I_{BM}	Base Peak Current	4	A
P_{Base}	Reverse Bias Base Dissipation (B.E. junction in avalanche)	1	A
P_{tot}	Total Dissipation at $T_{case} \leq 25^\circ C$	120	W
T_{stg}	Storage Temperature	-65 to 200	$^\circ C$
T_j	Max Operating Junction Temperature	200	$^\circ C$

BUV42

THERMAL DATA

$R_{thj-case}$	Thermal Resistance Junction-case	Max	1.46	$^{\circ}C/W$
----------------	----------------------------------	-----	------	---------------

ELECTRICAL CHARACTERISTICS ($T_{case} = 25^{\circ}C$ unless otherwise specified)

Symbol	Parameter	Test Conditions	Min.	Typ.	Max.	Unit
I_{CER}	Collector Cut-off Current ($R_{BE} = 10\Omega$)	$V_{CE} = V_{CEV}$ $V_{CE} = V_{CEV} \quad T_C = 100^{\circ}C$			0.5 2.5	mA mA
I_{CEV}	Collector Cut-off Current	$V_{CE} = V_{CEV} \quad V_{BE} = -1.5V$ $V_{CE} = V_{CEV} \quad V_{BE} = -1.5V \quad T_C = 100^{\circ}C$			0.5 2	mA mA
I_{EBO}	Emitter Cut-off Current ($I_C = 0$)	$V_{EB} = 5V$			1	mA
$V_{CEO(sus)*}$	Collector-Emitter Sustaining Voltage	$I_C = 0.2A$ $L = 25mH$	250			V
V_{EBO}	Emitter-base Voltage ($I_C = 0$)	$I_E = 50mA$	7			V
$V_{CE(sat)*}$	Collector-Emitter Saturation Voltage	$I_C = 2A \quad I_B = 0.13A$		0.25	0.8	V
		$I_C = 4A \quad I_B = 0.4A$		0.4	0.9	V
		$I_C = 6A \quad I_B = 0.75A$		0.5	1.2	V
		$I_C = 2A \quad I_B = 0.13A \quad T_j = 100^{\circ}C$		0.25	0.9	V
		$I_C = 4A \quad I_B = 0.4A \quad T_j = 100^{\circ}C$		0.45	1.2	V
		$I_C = 6A \quad I_B = 0.75A \quad T_j = 100^{\circ}C$		0.6	1.5	V
$V_{BE(sat)*}$	Base-Emitter Saturation Voltage	$I_C = 4A \quad I_B = 0.4A$		1	1.3	V
		$I_C = 6A \quad I_B = 0.75A$		1.1	1.5	V
		$I_C = 4A \quad I_B = 0.4A \quad T_j = 100^{\circ}C$		0.9	1.3	V
		$I_C = 6A \quad I_B = 0.75A \quad T_j = 100^{\circ}C$		1.1	1.5	V
di_c/d_t^*	Rated of Rise of on-state Collector Current	$V_{CC} = 200V \quad R_C = 0 \quad I_{B1} = 0.6A$ $T_j = 25^{\circ}C$ $T_j = 100^{\circ}C$	25 20	40 35		A/ μs A/ μs
$V_{CE(2\mu s)}$	Collector Emitter Dynamic Voltage	$V_{CC} = 200V$ $R_C = 50\Omega \quad I_{B1} = 0.4A$ $T_j = 25^{\circ}C$ $T_j = 100^{\circ}C$		1.7 2.5	2.5 4	V V
$V_{CE(4\mu s)}$	Collector Emitter Dynamic Voltage	$V_{CC} = 200V$ $R_C = 50\Omega \quad I_{B1} = 0.4A$ $T_j = 25^{\circ}C$ $T_j = 100^{\circ}C$		0.9 1.1	1.7 2	V V

* Pulsed: Pulse duration = 300 μs , duty cycle = 2 %

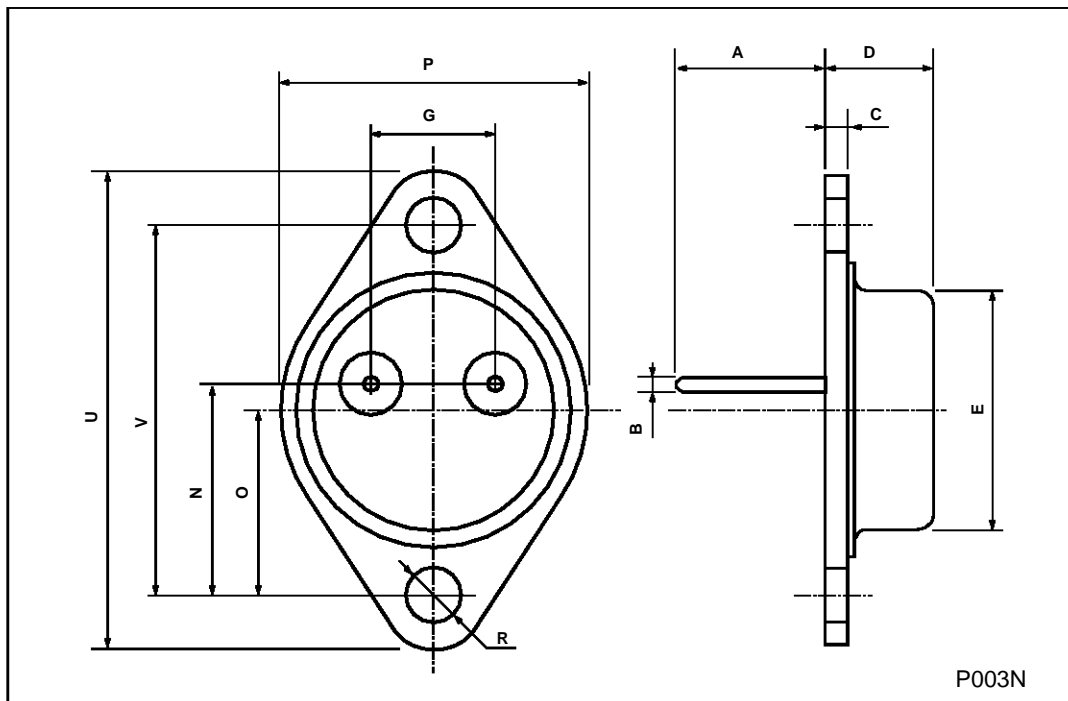
ELECTRICAL CHARACTERISTICS (continued)

Symbol	Parameter	Test Conditions		Min.	Typ.	Max.	Unit
t_r	RESISTIVE LOAD Rise Time	$V_{CC} = 200V$	$I_C = 6A$		0.3	0.4	μs
t_s		$V_{BB} = -5V$	$I_{B1} = 0.75A$		1	1.6	μs
t_f		$R_{B2} = 3.3\Omega$	$T_p = 30\mu s$		0.15	0.3	μs
t_s	INDUCTIVE LOAD Storage Time	$V_{CC} = 200V$	$V_{clamp} = 250V$		1.2	1.8	μs
t_f		$I_{CC} = 4A$	$I_B = 0.4A$		0.08	0.2	μs
t_t		$V_{BB} = -5V$	$R_{B2} = 6.3\Omega$		0.03	0.12	μs
t_c		$L_C = 2.5mH$			0.15	0.35	μs
t_s	Storage Time	$V_{CC} = 200V$	$V_{clamp} = 250V$		1.8	2.4	μs
t_f		$I_{CC} = 4A$	$I_B = 0.4A$		0.2	0.4	μs
t_t		$V_{BB} = -5V$	$R_{B2} = 6.3\Omega$		0.08	0.2	μs
t_c		$L_C = 2.5mH$	$T_j = 100^\circ C$		0.4	0.7	μs
t_s	Storage Time	$V_{CC} = 200V$	$V_{clamp} = 250V$		2.5		μs
t_f		$I_{CC} = 4A$	$I_B = 0.5A$		0.4		μs
t_t		$V_{BB} = 0$	$R_{B2} = 7.5\Omega$		0.15		μs
		$L_C = 2.5mH$					
t_s	Storage Time	$V_{CC} = 200V$	$V_{clamp} = 250V$		4.8		μs
t_f		$I_{CC} = 4A$	$I_B = 0.4A$		0.7		μs
t_t		$V_{BB} = 0$	$R_{B2} = 7.5\Omega$		0.4		μs
		$L_C = 2.5mH$	$T_j = 100^\circ C$				

* Pulsed: Pulse duration = 300 μs , duty cycle = 2 %

TO-3 (H) MECHANICAL DATA

DIM.	mm			inch		
	MIN.	TYP.	MAX.	MIN.	TYP.	MAX.
A		11.7			0.460	
B	0.96		1.10	0.037		0.043
C			1.70			0.066
D			8.7			0.342
E			20.0			0.787
G		10.9			0.429	
N		16.9			0.665	
P			26.2			1.031
R	3.88		4.09	0.152		0.161
U			39.50			1.555
V		30.10			1.185	



Information furnished is believed to be accurate and reliable. However, SGS-THOMSON Microelectronics assumes no responsibility for the consequences of use of such information nor for any infringement of patents or other rights of third parties which may result from its use. No license is granted by implication or otherwise under any patent or patent rights of SGS-THOMSON Microelectronics. Specifications mentioned in this publication are subject to change without notice. This publication supersedes and replaces all information previously supplied. SGS-THOMSON Microelectronics products are not authorized for use as critical components in life support devices or systems without express written approval of SGS-THOMSON Microelectronics.

© 1995 SGS-THOMSON Microelectronics - All Rights Reserved

SGS-THOMSON Microelectronics GROUP OF COMPANIES
Australia - Brazil - France - Germany - Hong Kong - Italy - Japan - Korea - Malaysia - Malta - Morocco - The Netherlands -
Singapore - Spain - Sweden - Switzerland - Taiwan - Thailand - United Kingdom - U.S.A